



T349LED

19" SLIM LED AREA/FLOOD/WALL MOUNT

JOB INFORMATION

Type: _____
 Catalog No: _____
 Project Name: _____
 Comments: _____

 Prepared by: _____

T349LED

FEATURES

USE OF PRODUCT

The intended use of this product is ideal for highways, streets, parking lots, public entrances, and any commercial or industrial applications.

HOUSING

Rugged die cast aluminum housing with easy access to fixture compartment.

FINISH

Standard Matt-finished, architectural powdercoat over a precise chromate conversion coating. Consult factory for custom architectural finishes.

OPTICS

White aluminum reflector is designed for maximum photometric efficiency and optimum light distribution. Rotatable optics available in Type I, II, III, IV or V. Flat glass lens provides impact resistance. Lens sealed by a one-piece silicon gasket which prohibits entrance of outside contaminants.

LED

High output LEDs offer a minimum estimated operating life of 50,000 hours in 5000K with CRI>83; Efficacy: 119lm/W. LEDs placed on high performance aluminum heatsink for reduced junction temperatures and extended life.

MOUNTING

Fixture pole must be mounted on a concrete base (supplied by others).

EPA

Effective Projected Area (Sq. Ft.): 0.554 ft² (1 fixture)

B-U-G Rating

T349LED - Type III B3-U0-G4

DRIVER

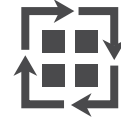
Durable LED driver operates at 120-277V with 0-10V dimming protocol. Power factor: 0.90; 50 to 60 Hz. Driver protections includes: Output open load, over-current and short-circuit, and over-temperature with auto recovery. -30°C Min Temp. to 40°C Max Temp.

EMERGENCY BATTERY

Optional integral emergency battery available up to 119W.

LISTINGS/COMPLIANCE

- CSA - Listed for wet locations.



Rotatable Optics

ORDERING INFO

SERIES	WATT/LUMENS	COLOR TEMPERATURE	VOLTAGE	DISTRIBUTION TYPES	MOUNTING	FINISH
T349LED	30W ¹ - 30W/3330lm	30K - 3000K	UNV - 120V-277V	T1 - Type I	SB - Swivel bracket	BZ - Bronze
	40W ¹ - 40W/4335lm	35K - 3500K	347V ² - 347V	T2 - Type II	SF - Slipfitter	MTO - Made to order
	58W ¹ - 58W/6032lm	40K ³ - 4000K	480V ² - 480V	T3 - Type III	TSAM6S - 6" Arm mount square pole	MGTO - Marine grade Made to order
	84W ¹ - 84W/8756lm	50K - 5000K		T4 - Type IV	TSAM10S - 10" Arm mount square pole	
	119W ¹ - 119W/12354lm			T5 - Type V	TSAM6R - 6" Arm mount round pole	
	170W - 170W/17510lm				TSAM10R - 10" Arm mount round pole	
240W - 240W/25540lm				TWMB-SF ⁴ - Wall mount bracket ith slipfitter		
					TWMB90-SF ⁴ - Wall mount 90° bracket ith slipfitter	

OPTIONS

- PC - Photocell 120-277V
- PN - Photocell NEMA
- HSS - House side shield
- BS - Bird Spikes
- EM8W - Emergency Battery 8W (10W-58W Fixture Range)
- EM20W - Emergency Battery 20W (85W-225W Fixture Range)
- MSR - Standard PIR Remote Motion Sensor
- MFR - FSP311 PIR Remote Motion Sensor
- MSI - Standard PIR (Integral)motion sensor
- MFI - FSP311 PIR (Integral)motion sensor

Notes

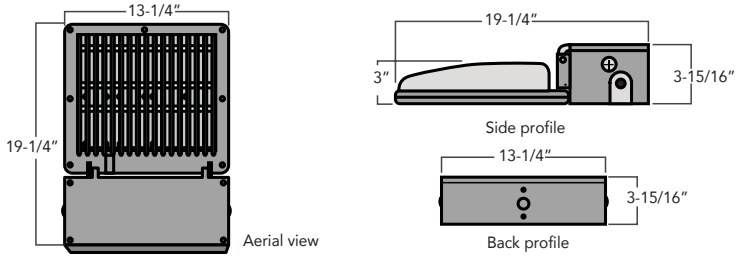
1. Integral Emergency battery.
2. Step down transformer Required.
3. Standard color temperature.
4. Requires slipfitter.



T349LED

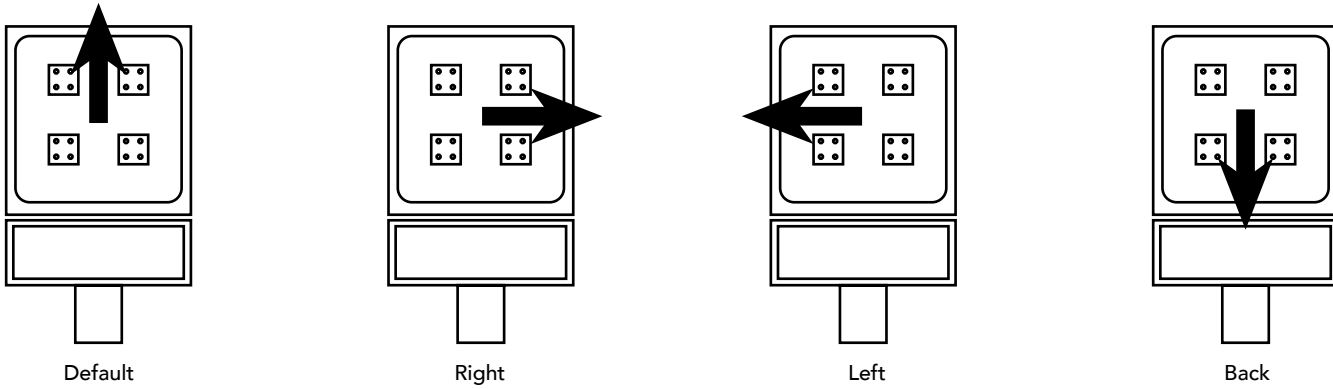
19" SLIM LED AREA/FLOOD/WALL MOUNT

DIMENSIONS

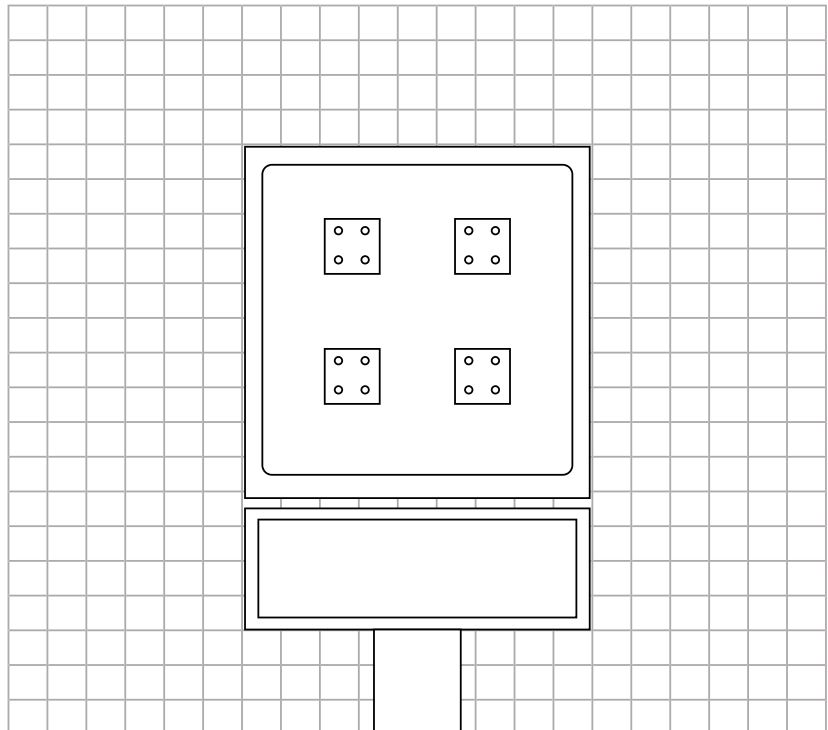


Weight: 21 lbs

ROTATABLE OPTICS



Please illustrate optic direction below and consult with factory

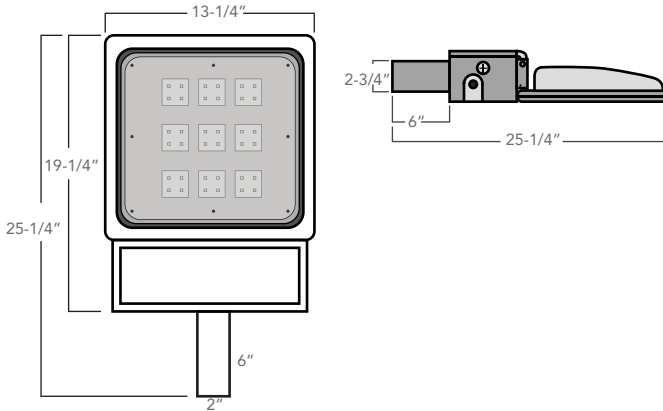


T349LED

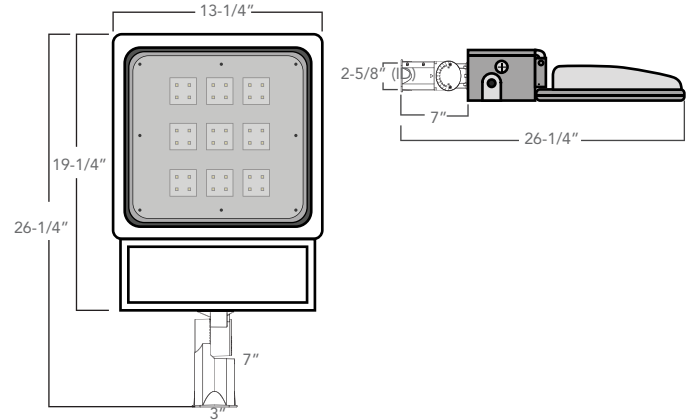
19" SLIM LED AREA/FLOOD/WALL MOUNT

MOUNTING DIMENSIONS

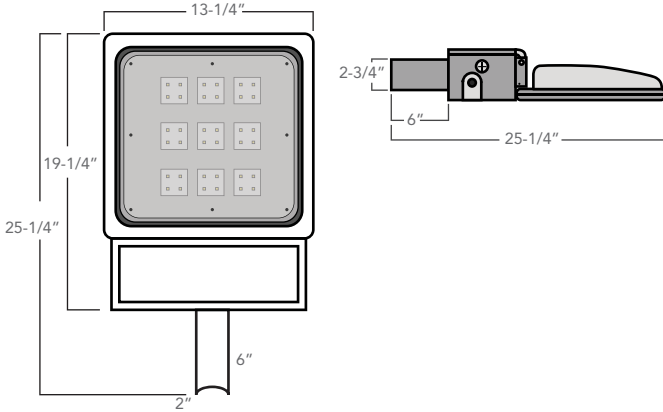
TSAM6/10S - 6"/10" Arm mount Square pole



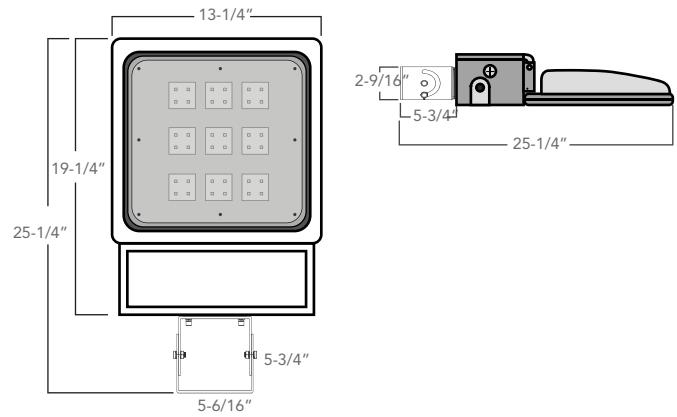
SF - Slipfitter



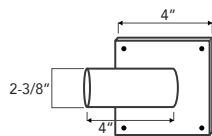
TSAM6/10R - 6"/10" Arm mount round pole



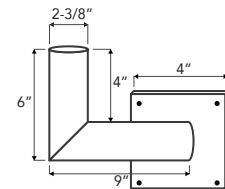
SB - Swivel Bracket



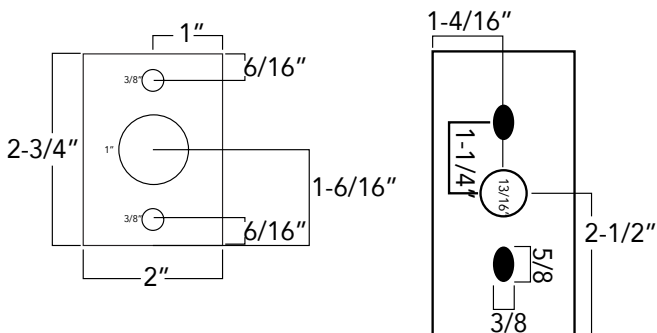
TWMB-SF - Wall mount bracket with slipfitter



TWMB90-SF - Wall mount 90° bracket with slipfitter



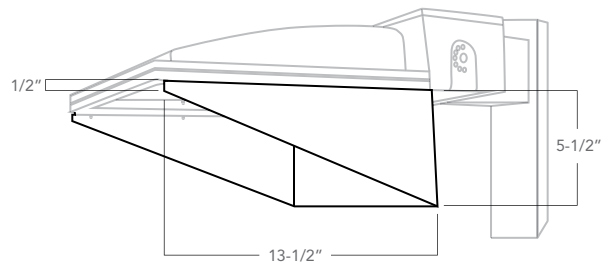
POLE ARM DRILL PATTERN



6"/10" Square arm mount drill pattern

Swivel Bracket

HOUSE SIDE SHIELD

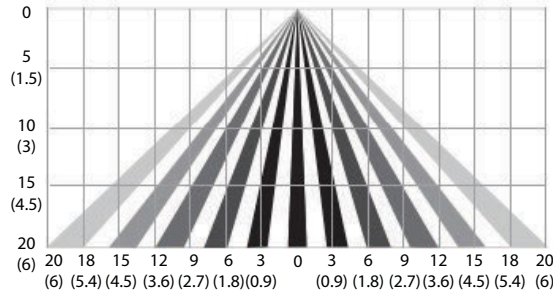
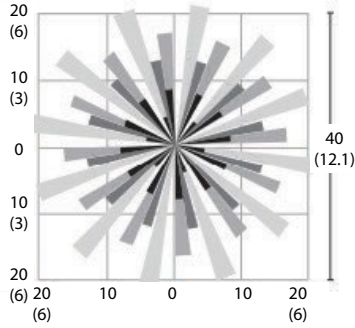


T349LED

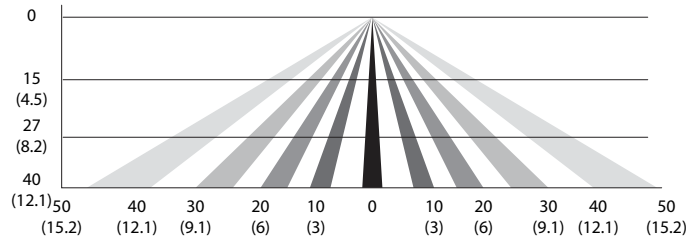
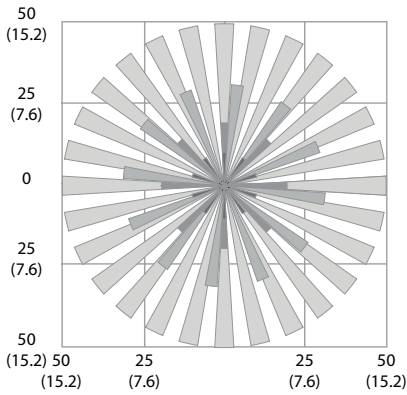
19" SLIM LED AREA/FLOOD/WALL MOUNT

PIR HEIGHT

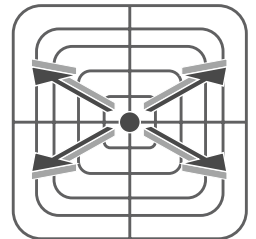
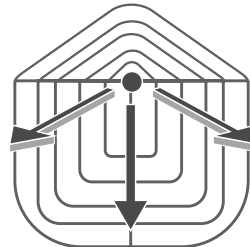
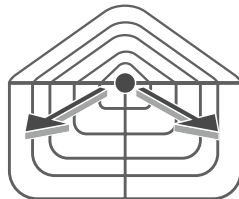
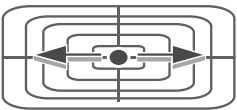
LPM - Lutron wireless radio module and sensor (medium mounting height 20ft)



LPH - Lutron wireless radio module and sensor (high mounting height 40ft)



DISTRIBUTION TYPES



TYPE I

Type I is intended for walkways, roadways or any narrow paths. Typically known for its two-way lateral distribution having a preferred lateral width of 15° at the cone. Type 1 focuses majority of its light near the center of the pathway for even light disbursement since the light projects laterally at a 15° angle.

TYPE II

Type II distribution is well suited for expanded walkways, entrance roadway lighting and other applications. Having a lateral width of 18-29° means this type is meant for lighting larger areas.

TYPE III

Type III distribution is well suited for roadway lighting, general parking areas and other areas where a larger area of light is required because it gives more coverage further from the point source outward. Type III distribution provides a wide, round pattern and yields an even light disbursement since the light projects outwards.

TYPE IV

Type IV distribution is best intended for sides of buildings and walls because of its semicircular light pattern. Type IV has a preferred lateral width of 60° make it ideal for parking area and court yard.

TYPE V

Type V distribution is intended for mounting at or near center of roadways, center islands of parkways or an intersection. Type V provides central circular or square design pattern, equally across all angles from a central point. It provides the most even pattern of light since light is pushed in all direction from the center.